



KenWhite
GOLFSIGNS
DESIGN · CREATE · INSPIRE



PRODUCT GUIDE

7a Hartnoll Business Centre
Post Hill
Tiverton
Devon
EX16 4NG

01884 253795
sales@kenwhitesigns.co.uk



KenWhite
GOLFSIGNS
DESIGN · CREATE · INSPIRE

www.kenwhitesigns.co.uk

Mow-over Style
Tee Signage Collection



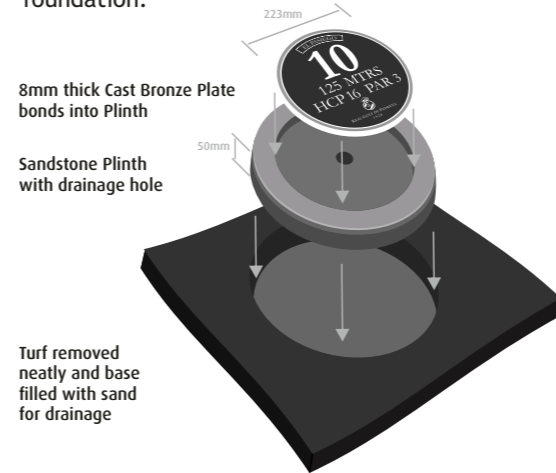
Circular Bronze Mow-over Tee Marker with Sandstone Base (CB/001)

Cast bronze disk recessed into a reconstituted sandstone plinth.

Ideal mow-over option. The strong and robust style of the cast bronze ensures there won't be any long term damage.

The bronze plaque will need to be maintained in order to keep the surface clear and legible.

Product is supplied assembled with bronze plaque bonded into sandstone plinth ready for simple placement in to concrete foundation.



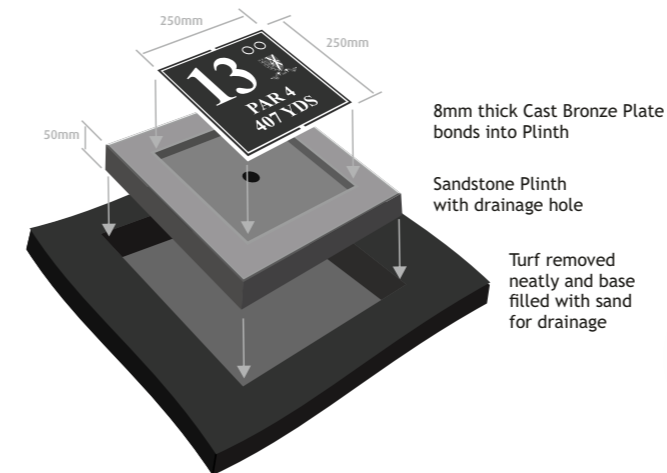
Also available in other sizes

Square Bronze Mow-over Tee Marker with Sandstone Base (CB/002)

Cast bronze marker recessed into a reconstituted sandstone plinth. Ideal mow-over option. The strong and robust style of the cast bronze ensures there won't be any long term damage.

The bronze plaque will need to be maintained in order to keep the surface clear and legible.

Product is supplied assembled with bronze plaque bonded into sandstone plinth.



Also available in other sizes



Large Granite Mow-over Tee Marker with Sandstone Base (GM001/S)

30mm thick granite plaque recessed into a reconstituted sandstone plinth.

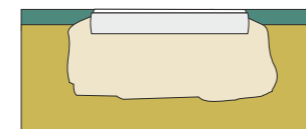
Ideal mow-over option. The strong and robust style of the natural granite ensures there won't be any long term maintenance issues.

The granite plaque will not need to be maintained as much as the bronze option in order to keep the surface clear and legible.

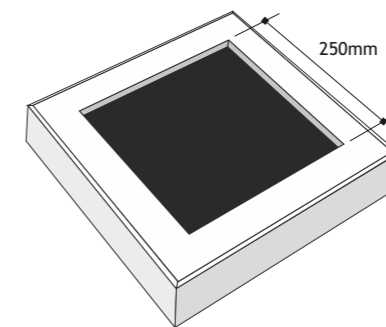
Product is supplied assembled with granite plaque bonded into sandstone plinth ready for simple placement in to concrete foundation.



Mow-over Installation



Simply press subject into concrete before it sets properly.



Large Granite Mow-over Tee Marker (GM001)

30mm thick granite plaque with all text and graphics engraved and filled.

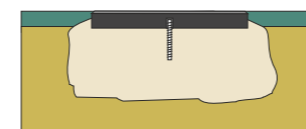
Ideal mow-over option. The strong and robust style of the natural granite ensures there won't be any long term maintenance issues.

The granite plaque will not need to be maintained as much as the bronze option in order to keep the surface clear and legible.

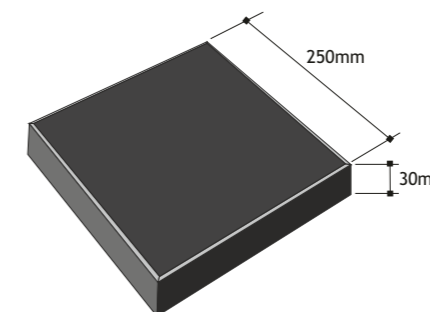
Product is supplied complete with insert in rear and threaded bar for placement in to concrete foundation.



Mow-over Installation



Granite is supplied complete with threaded bar inserts for screwing in to base. Simply press into concrete before setting.



Standard Colour Granite is Black but other colours are available