



KenWhite
GOLFSIGNS
DESIGN · CREATE · INSPIRE



PRODUCT GUIDE

7a Hartnoll Business Centre
Post Hill
Tiverton
Devon
EX16 4NG

01884 253795

sales@kenwhitesigns.co.uk



KenWhite
GOLFSIGNS
DESIGN · CREATE · INSPIRE

www.kenwhitesigns.co.uk

Reconstituted Stone

Tee Signage Collection



Cumbrian Medium Stone with Plate (ST/004) & (ST/005)

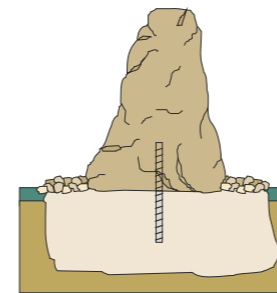
Metal plate recessed in to a reconstituted stone base.

ETCHED ZINC or TEXTURED ALUMINIUM PLATE OPTIONS

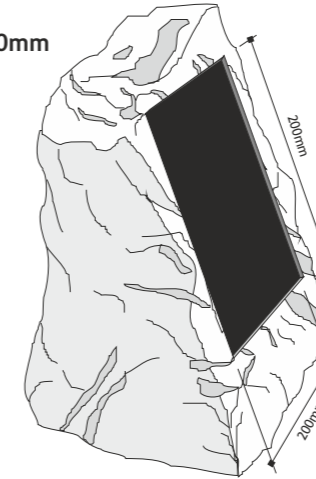
A superb partner for all of the other stone products, in particular the Large Cumbrian.

Stone is supplied complete with ground anchor kit.

ST/005 stone with 250mm x 250mm Plate Option available



When installing the stones ensure concrete below ground is equal volume to product



Stone Tee Sign at Greenore Golf Club (S. Ireland)

Cumbrian Oval Stone with Plate (ST/006)

Metal plate recessed in to a reconstituted stone base.

ETCHED ZINC or TEXTURED ALUMINIUM PLATE OPTIONS

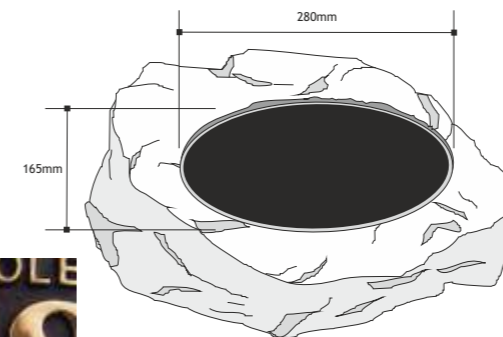
Ideal for use on the smaller teeing areas, displaying minimal information for one tee position.

A superb partner for all of the other stone products, in particular the medium oval stone.

Stone is supplied complete with ground anchor kit.



Cast Bronze Plaque is available for all stone products upon request





Cumbrian Medium Oval Stone with Plate and Sponsor Allocation (ST/007)

Metal plate recessed in to a reconstituted stone base.

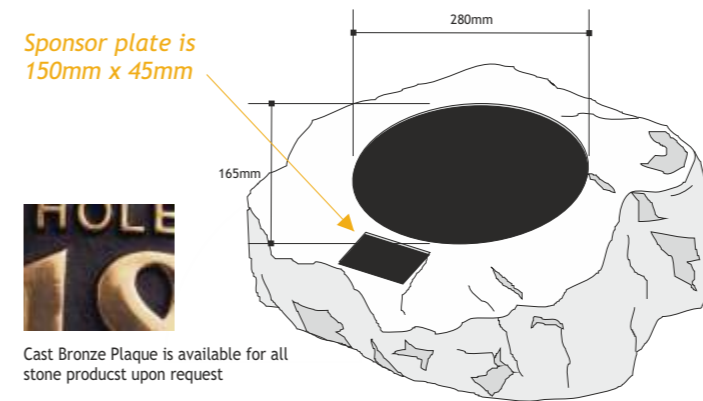
ETCHED ZINC or TEXTURED ALUMINIUM PLATE OPTIONS.

Ideal for use on the smaller and medium sized teeing areas, displaying minimal information for more than one tee position.

A superb partner for all of the other stone products and great for use on corporate sponsorship projects.

Stone is supplied complete with ground anchor kit.

Sponsor plate is 150mm x 45mm



Cast Bronze Plaque is available for all stone product upon request



Stone Tee Sign at Greenore Golf Club (S. Ireland)

Cumbrian Large Domed Stone with Plate and Sponsor Allocation (ST/010)

Metal plate recessed in to a reconstituted stone base.

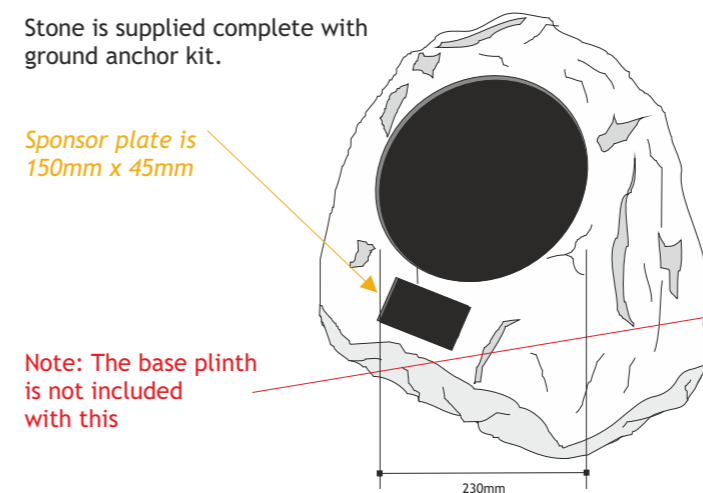
ETCHED ZINC or TEXTURED ALUMINIUM PLATE OPTIONS.

Ideal for use on the larger teeing areas, where the large plate offers plenty of room for displaying more information.

A superb partner for all of the other stone products and great for use on corporate sponsorship projects.

Stone is supplied complete with ground anchor kit.

Sponsor plate is 150mm x 45mm



Note: The base plinth is not included with this



Stone Tee Sign at Sillloge Golf Club (S. Ireland)